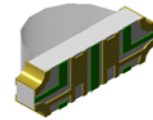


Side View SMD RGB LED C.A

VS 7RA8

Description

This is full color side view package SMT LED with dimension 3.0 mm (L) * 1.5 mm (W) * 1.0 mm (H) with common anode configuration. The unique of these LEDs are made from AlGaInP chips and InGaN technology that provide high luminous intensity at low driving current. The lens design provides 100 degree viewing angle and suitable for backlighting purpose.






Applications

- Industrial control systems signal indicator
- Automotive features
- Front panel indicator
- Status indication



Electronic Optical Characteristics (at 20mA):

Part Number	Color	λ (nm)		Iv(mcd)		VF(Volt)		View Angle	Lens
		λ_d	λ_p	Min	Typ.	Typ.	Max.		
VS 7RA8	True-green 	525	518	140	190	3.3	3.7	100	Clear
	Red 	624	632	71	112	2.0	2.4		
	Blue 	470	468	36	56	3.3	3.7		

Absolute Maximum Ratings (at Ta=25°C)

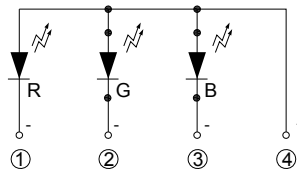
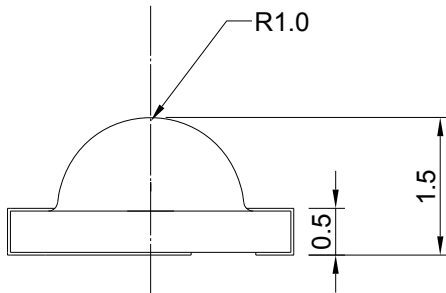
Emitted Color	P _D (mW)	I _F (mA)	I _{FP} (mA)	I _R (uA) @V _R =5V	Topr (°C)	Tstg (°C)
True-green	90	25	100*	50	-40~+85	-40~+100
Red	60	25	60*	10	-40~+85	-40~+100
Blue	90	25	100*	50	-40~+85	-40~+100

Note: Please take note the Absolute Maximum Rating values. Any operation beyond the specified ratings in this table will result degradation of LED life-span and may cause LED to fail.

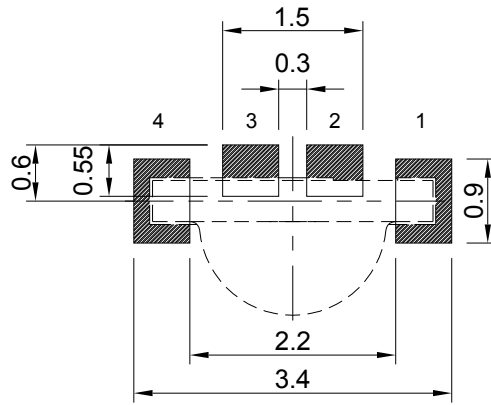
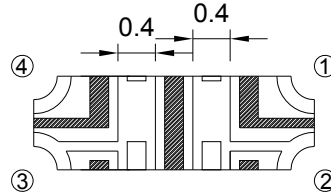
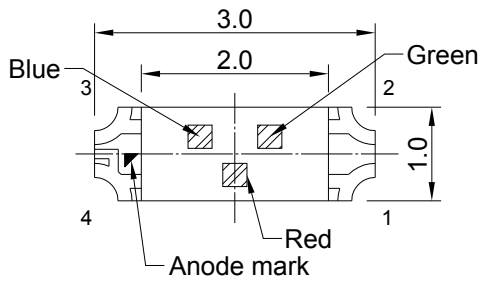
* I_{FP}: Peak Forward Current under 1/10 duty, 1KHz condition

Package Dimension:

unit:mm



Polarity

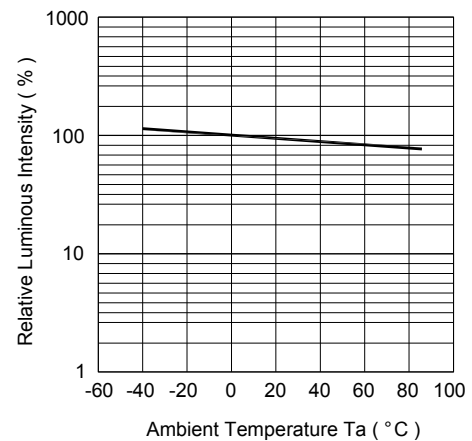
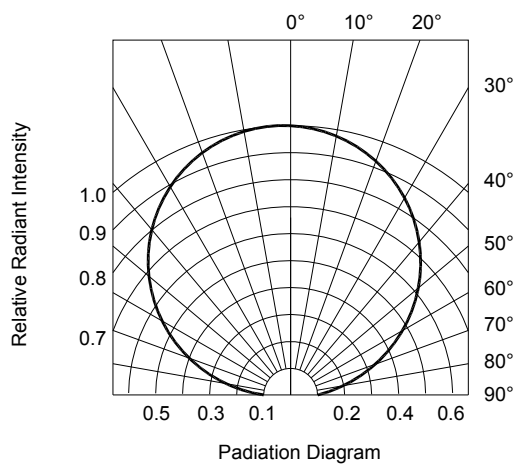
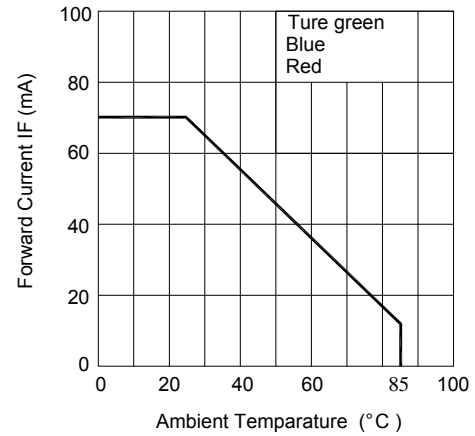
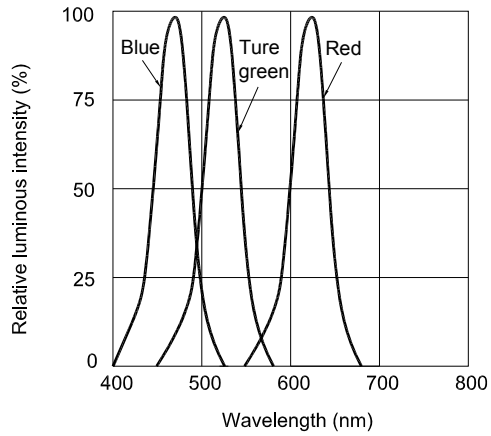
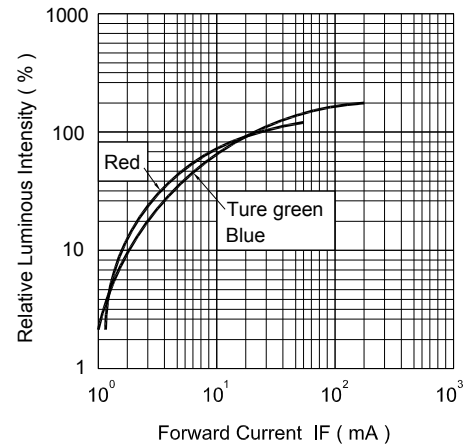
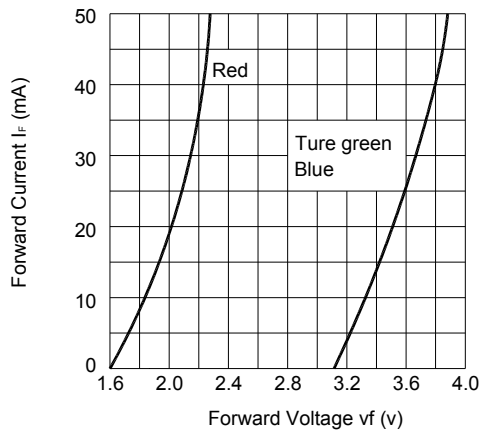


Recommended Soldering Pad

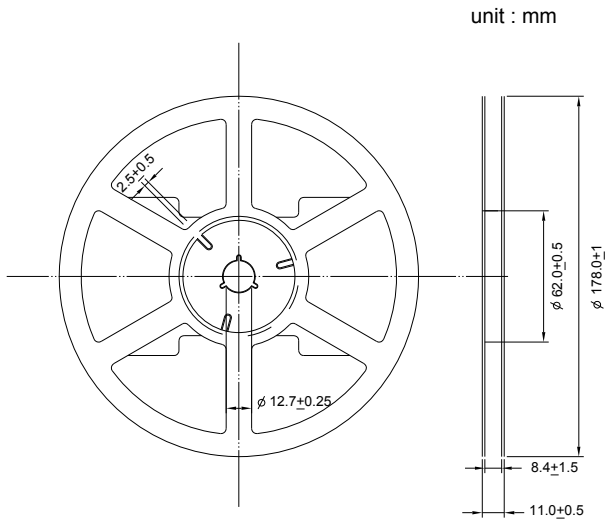
Notes:

1. All dimensions are millimeters.
2. Tolerance is $\pm 0.2\text{mm}$ unless otherwise specified.
3. Specifications are subject to change without notice.

Optical Characteristics Curves

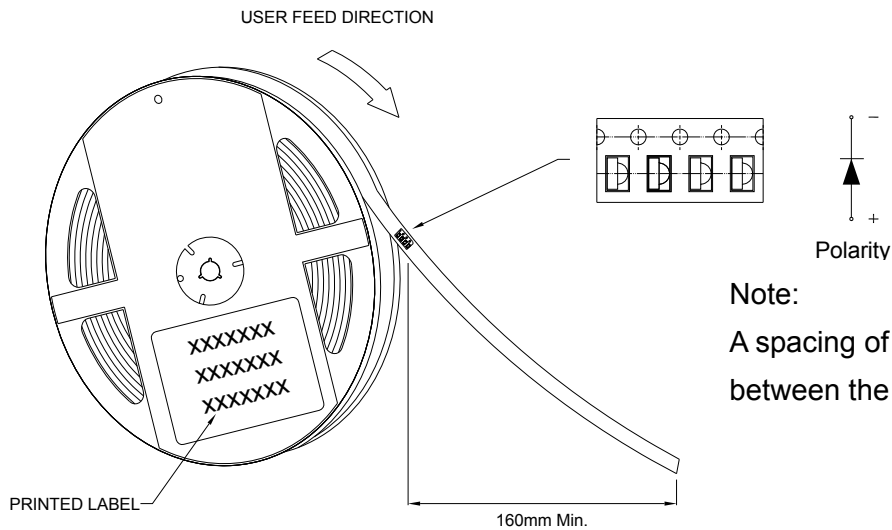


Reel Dimension:



Note:

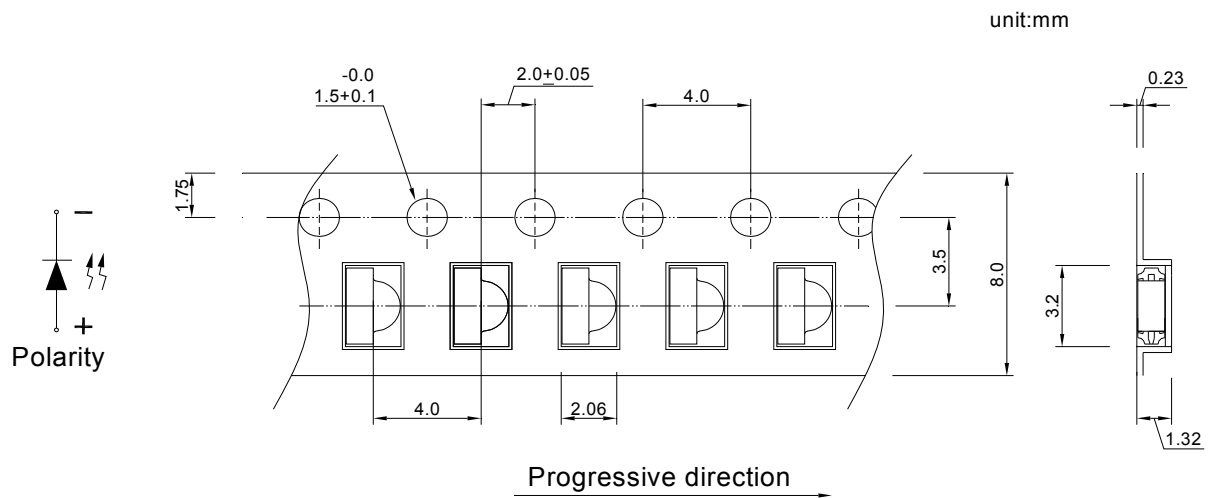
Available in 8mm carrier tape on 178mm diameter reels. (2000 pieces)



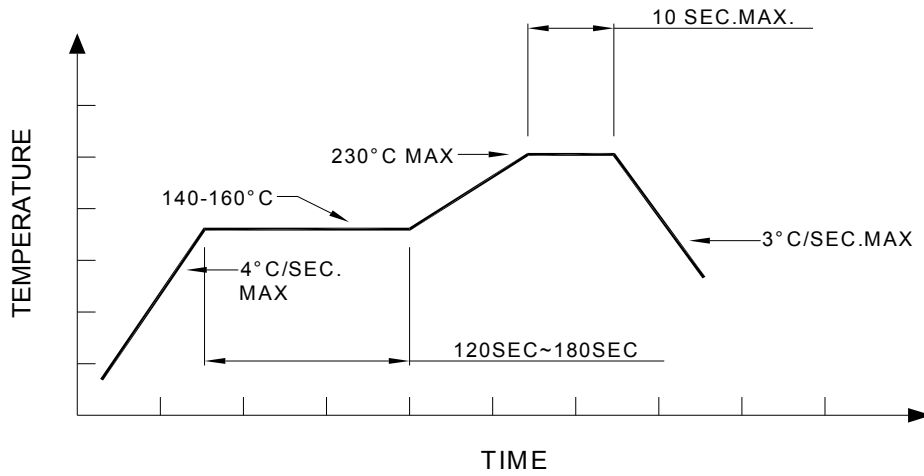
Note:

A spacing of approximately 160mm between the front edge of tape

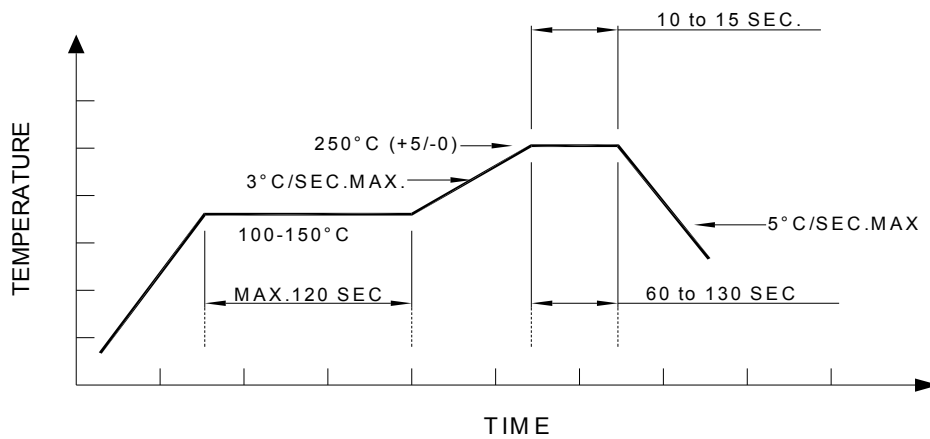
Tape Dimension:



Recommended re-flow soldering profile:



Recommended Pb-free re-flow soldering profile:



Note:

All the specifications listed in this data sheet are suitable for general electronic equipment, office equipment and communication devices. Kindly consult Sales Representatives for specific reliabilities request, Forward Voltage, Luminous Intensity, Wavelength, Radiant Power or Viewing Angle.